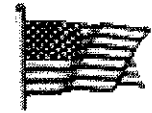
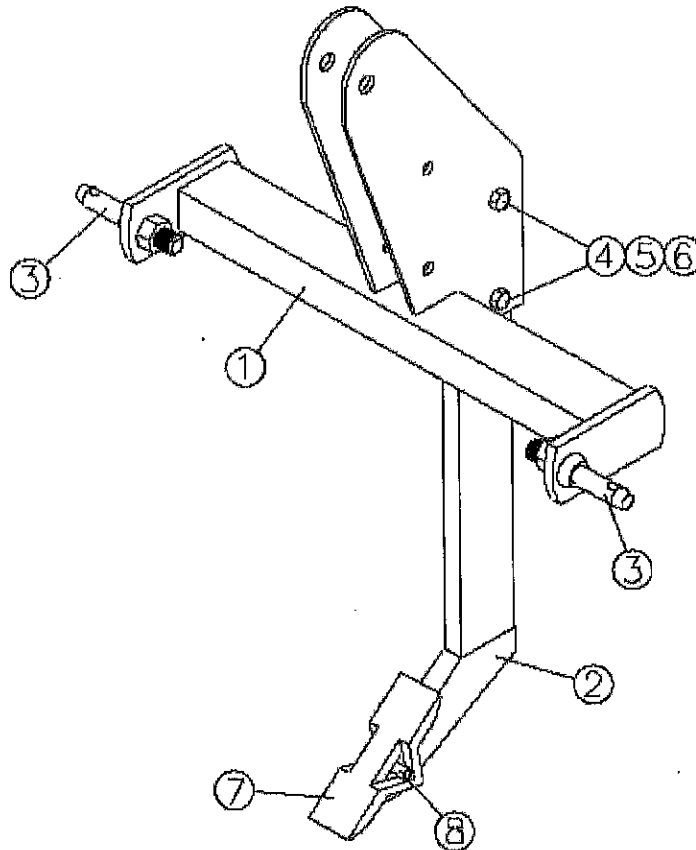


- Home
- Product Line ▶
- Information ▶
- Dist./Dealer Search



ER-30 Economy Ripper



Ref. No	Part No.	Description	No. Req'd
1	800401	Main Frame Weldment	1
2	800421	ER-30 Shank Weldment	1
3	590108	Pin, Lift Ass'y (AK-578)	2
4,5,6 NS	2503109 2502002 2500003	Bolt, 1/2"-13NC x 3-1/2" Hex Head Washer, 1/2" Spring Lock Nut, 1/2-13NC Full Hex	2 2 2
7	800425	Point, Ripper 1/2 x 8	1
8	2504179	Roll Pin, 1/2" x 2"	1

NOTICE: Worksaver Inc. has a corporate policy of continuous product improvement and development. Therefore, specifications are subject to change without any advance notice. Worksaver Inc. is not responsible for differences between specifications or illustrations contained in this site and the actual equipment.

To report problems or ask questions concerning Worksaver's web site, please contact the [Webmaster](#).

Copyright © 1996-1999 Worksaver, Inc. All Rights Reserved. [Legal Notices](#)
This document was last modified on